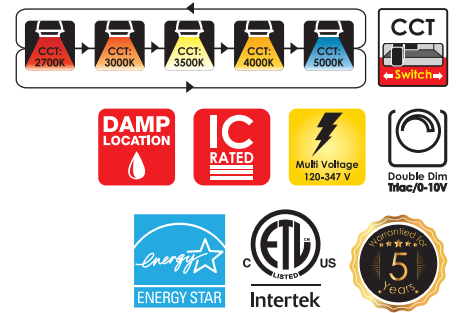


Project : \_\_\_\_\_  
 Type : \_\_\_\_\_  
 Drawn by : \_\_\_\_\_  
 Catalogue No. : \_\_\_\_\_  
 Date : \_\_\_\_\_



### Specifications

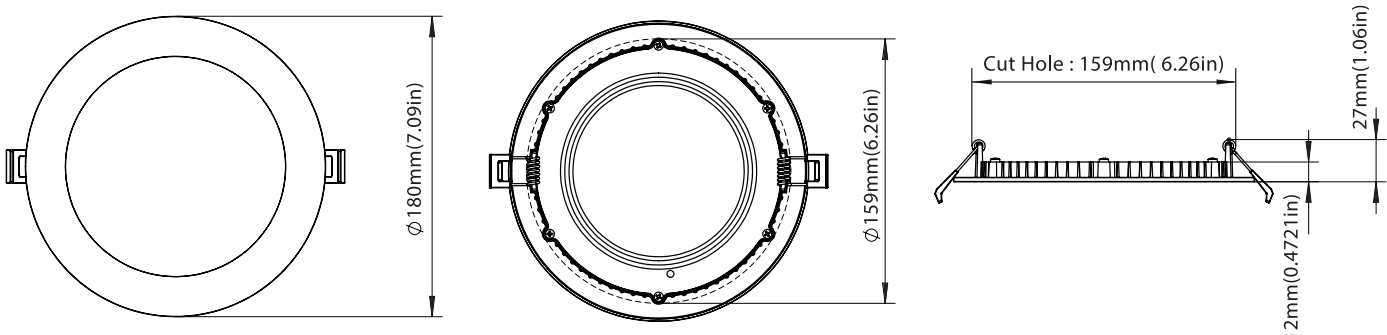
Model No.		<input type="checkbox"/> RP6W13-347-DD-5WAY
General	Watts	13W
	HID Equivalent	75W
	Lumen	1100LM
	CCT	2700K/3000K/3500K/4000K/5000K
	Volts	100-347V
	CRI	>80
	Beam Angle	110°
	Hours Rated	50000 hours
	Min Compartment Size	Ø7.09"x1.06"
Electrical	Operating Frequency	50-60Hz
	Power Factor	>0.9
	Operating Position	Recessed In Ceiling
	Surge Protection	Built-in surge protection-2.5KV
	Operating Temperature	-20°C /-4°F to 40°C/104°F
Physical	Lens Material	PS
	Housing Color	White
	Weight (Kg)	0.583
Additional Information	Additional Info	5 way CCT
	Rated For Enclosed Fixture	Yes
	Warranty	5 years
Compliance	Safety Listing	CETLus-Listed
	Location Rating	damp location
	Energy Star	Yes
	DLC Approved	No

## Features & Specifications

<b>Construction</b>	<ul style="list-style-type: none"> <li>• Construction: Aluminum trim with PS diffuser</li> <li>• Multiple LED array for uniform illumination</li> <li>• CCT switches are placed discretely outside the driver housing</li> </ul>
<b>Mounting</b>	<ul style="list-style-type: none"> <li>• Easy installation for remodel or new construction applications</li> </ul>
<b>Performance Data</b>	<ul style="list-style-type: none"> <li>• Available in 2700k/3000k/3500k/4000k/5000k selectable color temperature</li> <li>• 80+ CRI</li> <li>• Electrical ratings: 120-347v</li> <li>• Estimated life of over 100 000 hours to L70</li> <li>• 0-10V&amp;Triac Dimming</li> <li>• 2.5kV surge protection (standard)</li> <li>• Operating temperature: -20°C /-4°F to 40°C/104°F</li> </ul>
<b>Compliances</b>	<ul style="list-style-type: none"> <li>• cETL certified for damp location</li> <li>• IP20</li> <li>• ES listed</li> </ul>

## Dimensions & Weights

Model	RP6W13
Diameter in.(mm)	7.09 (180)
Height in. (mm)	1.06(27)
Net weight (lbs)	1.04



### Product Details



### Compatible Triac Dimmers

BRAND	MODEL
HILUTRON	DVCL-153PLH
LUTRON	S600-P
LUTRON	DV600-P15
LUTRON	MACL-153M
LUTRON	CTCL-153P
LUTRON	MS-OPS2
LUTRON	CTCL-153P
LUTRON	PD-6WCL
LEVITON	6674
LEVITON	6681

Dimming range : 10%-100%

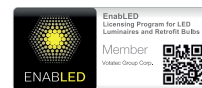
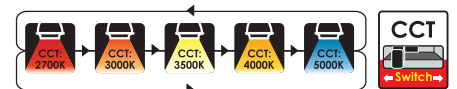
This table shows dimmers that have been tested and have demonstrated proper operation under normal conditions. Each installation being unique, various factors such as load, common neutrals or other electrical products on the circuit can, in certain instances, cause variance in system performance.

Read and comply to the dimmer installation instructions. Some dimmers may require more than one product for stable operation.

recommends to use dimmers designed to work with LED products. Older dimmers designed for incandescent products may cause erratic operation.

### Lumen Details

Model No.:	Watts (W)	2700K		3000K		3500K		4000K		5000K	
		Lumen Output (LM)	Efficiency (LM/W)	Lumen Output (LM)	Efficiency (LM/W)	Lumen Output (LM)	Efficiency (LM/W)	Lumen Output (LM)	Efficiency (LM/W)	Lumen Output (LM)	Efficiency (LM/W)
RP6W13-347-DD-5WAY	13W	1100LM	85	1147LM	89	1264LM	97	1326LM	102	1274LM	98



Data is based upon tests performed in a controlled environment. Actual performance can vary depending on operating conditions. All products are subject to change or may be discontinued any time without notice. Please contact your Votatec customer service representative to confirm inventory levels at time of order

